

<i>Subject responsible</i> TEI/TH/B C. Mozetic		<i>No.</i> TH-95:1245 Uit		
<i>Doc resp/Approved</i> TEI/TH/B F. Testa	<i>Checked</i>	<i>Date</i> 1995-11-21	<i>Rev</i> A	<i>File</i>

ERICSSON TEI - T DIVISION

HW DEPARTMENT

PROGETTO FAXEN

Presentazione ARS (ATM Ring Switch)

AGENDA

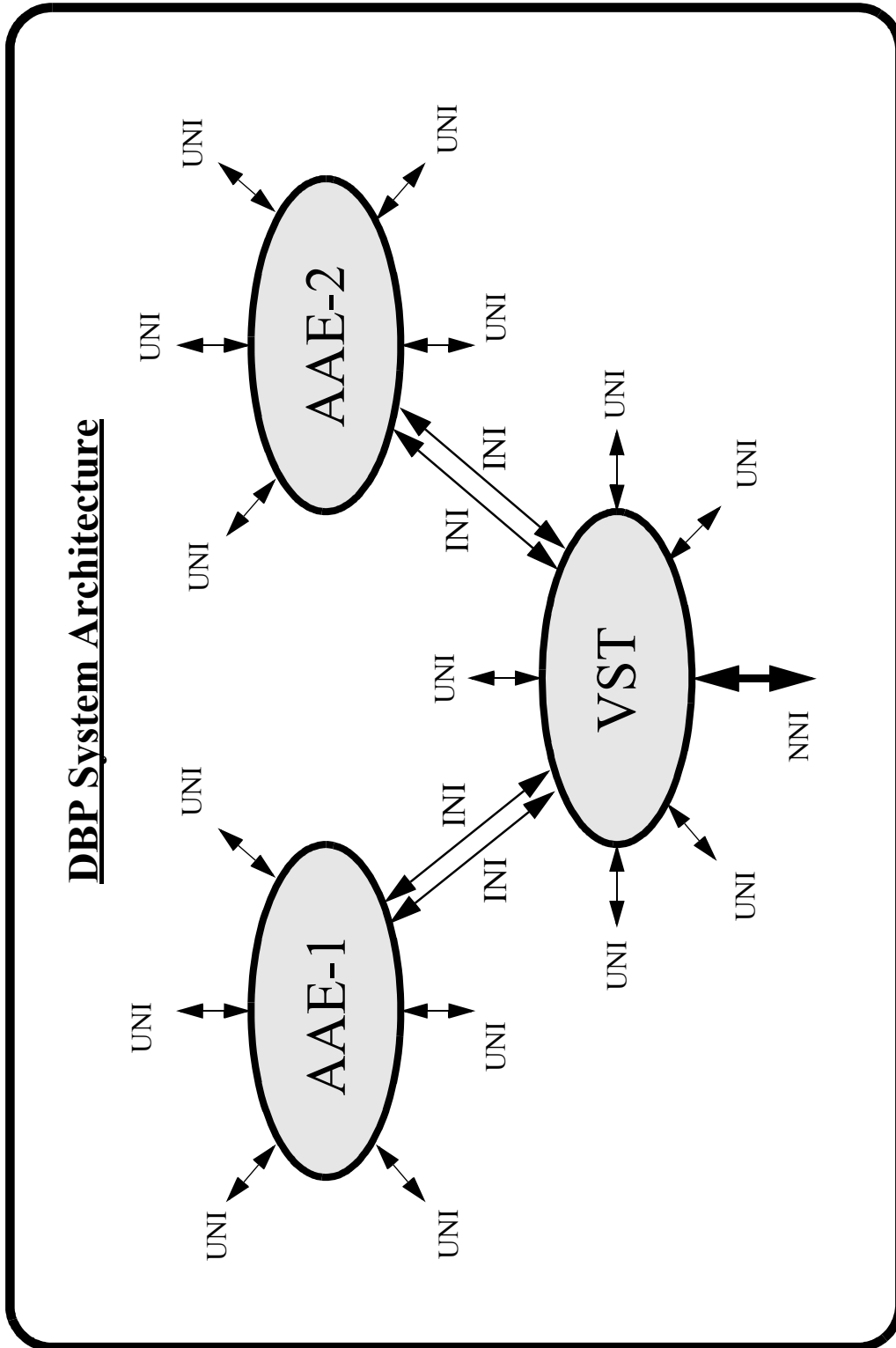
- 1** **Introduzione**

- 2** **ATM Ring Switch**

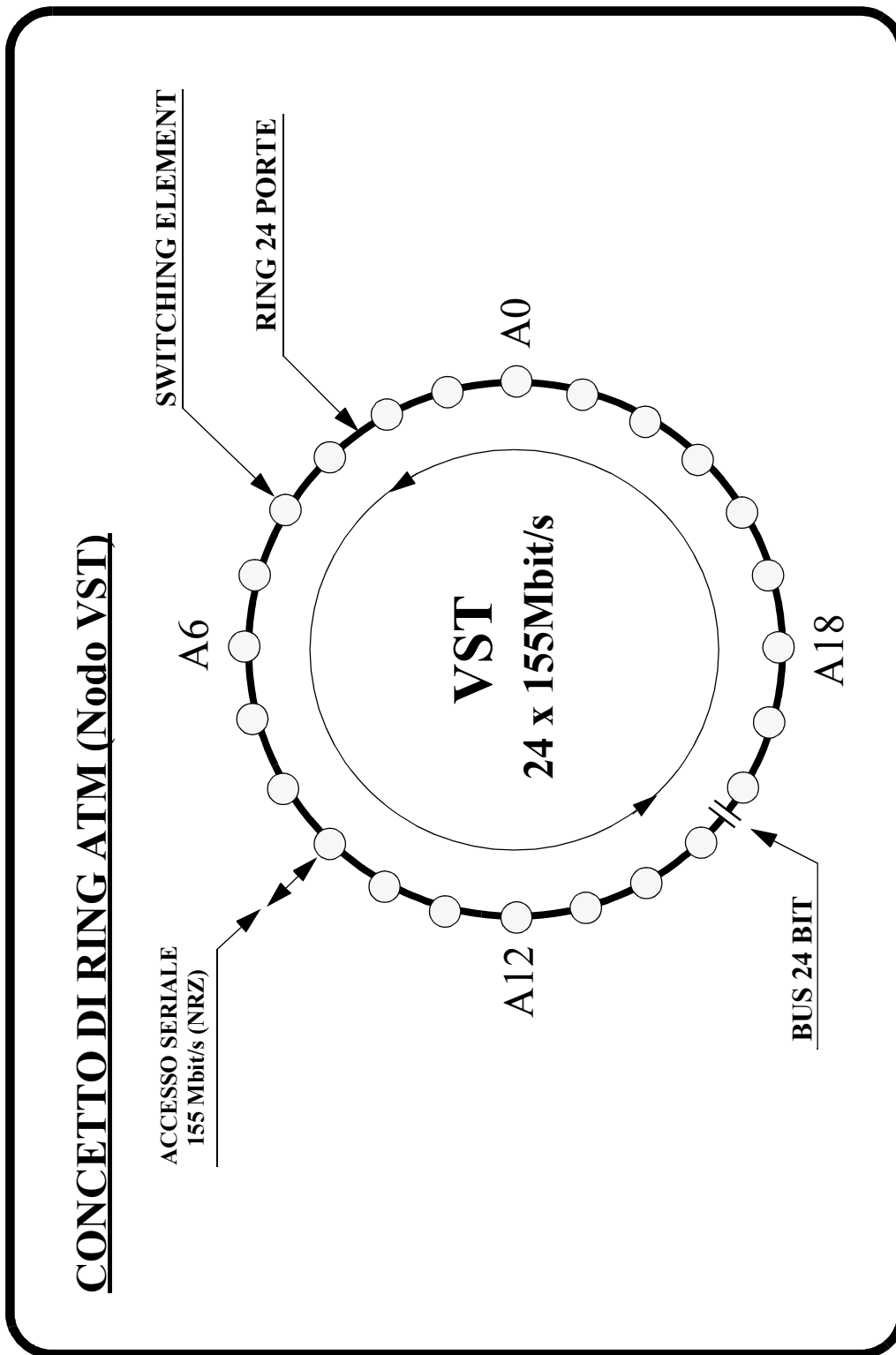
Sistema ARS-P3A
Principio di funzionamento
Blocchi funzionali

- 3** **Presentazione HW**
 - 3.1** **Modulo di switch**
Switching elements
SWitch Module 12-24 (SWM)
 - 3.2** **Switch Core Interfaces**
COmmunication Boards (COB)
Switch Port boards (SP0)
 - 3.3** **Sincronizzazione**
Clock Boards (CB)
Clock Selection and Connection Board (CSCB)
 - 3.4** **Unita' periferiche**
Exchange Tetmination boards (ET)
InterWorking Unit (EA-IWU)
 - 3.5** **Unita' di controllo e supervisione**
Pegasus - Zonix

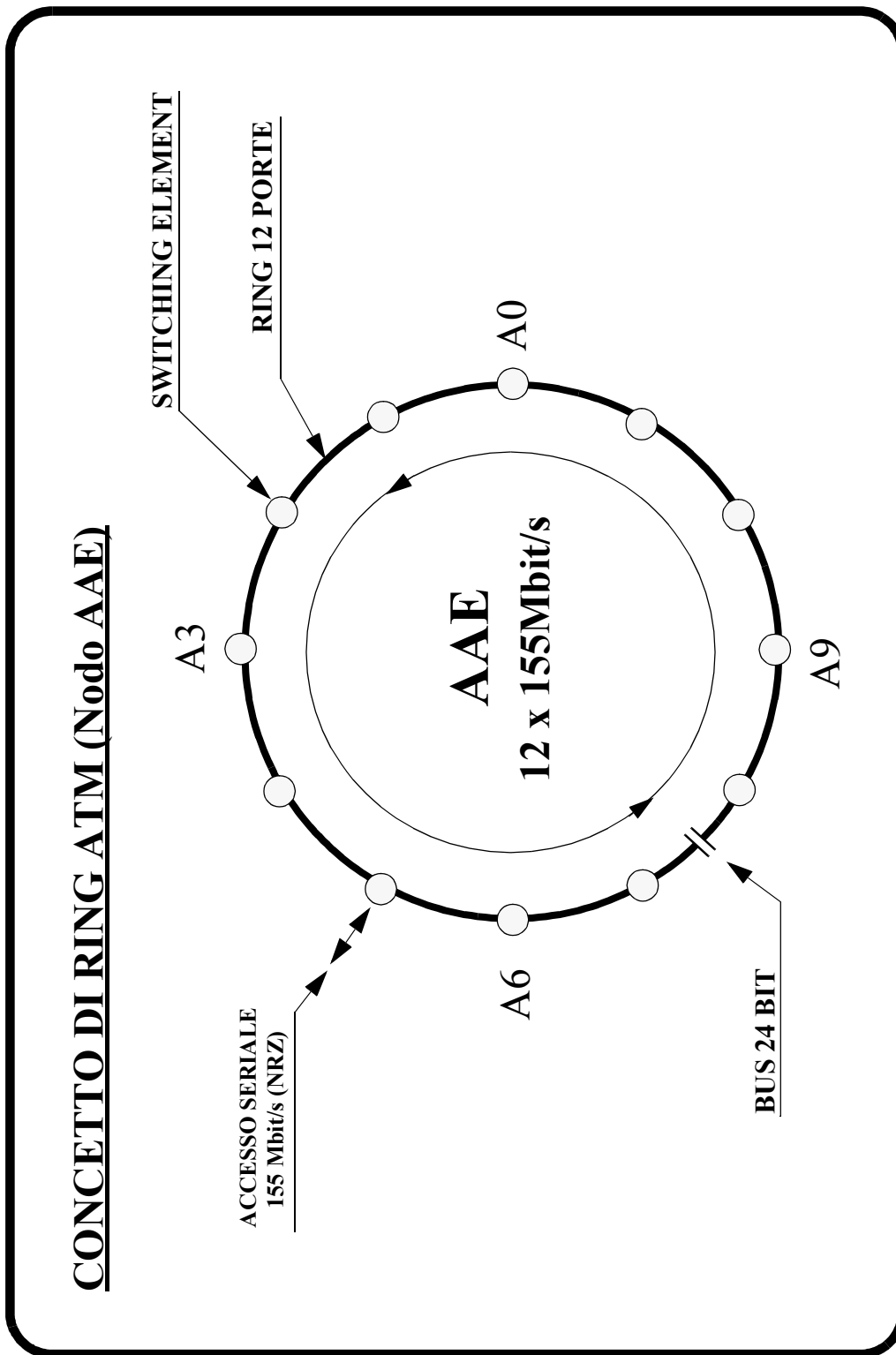
<i>Subject responsible</i> TEI/TH/B C. Mozetic		<i>No.</i> TH-95:1245 Uit	
<i>Doc resp/Approved</i> TEI/TH/B F. Testa	<i>Checked</i>	<i>Date</i> 1995-11-21	<i>Rev</i> A
<i>File</i>			



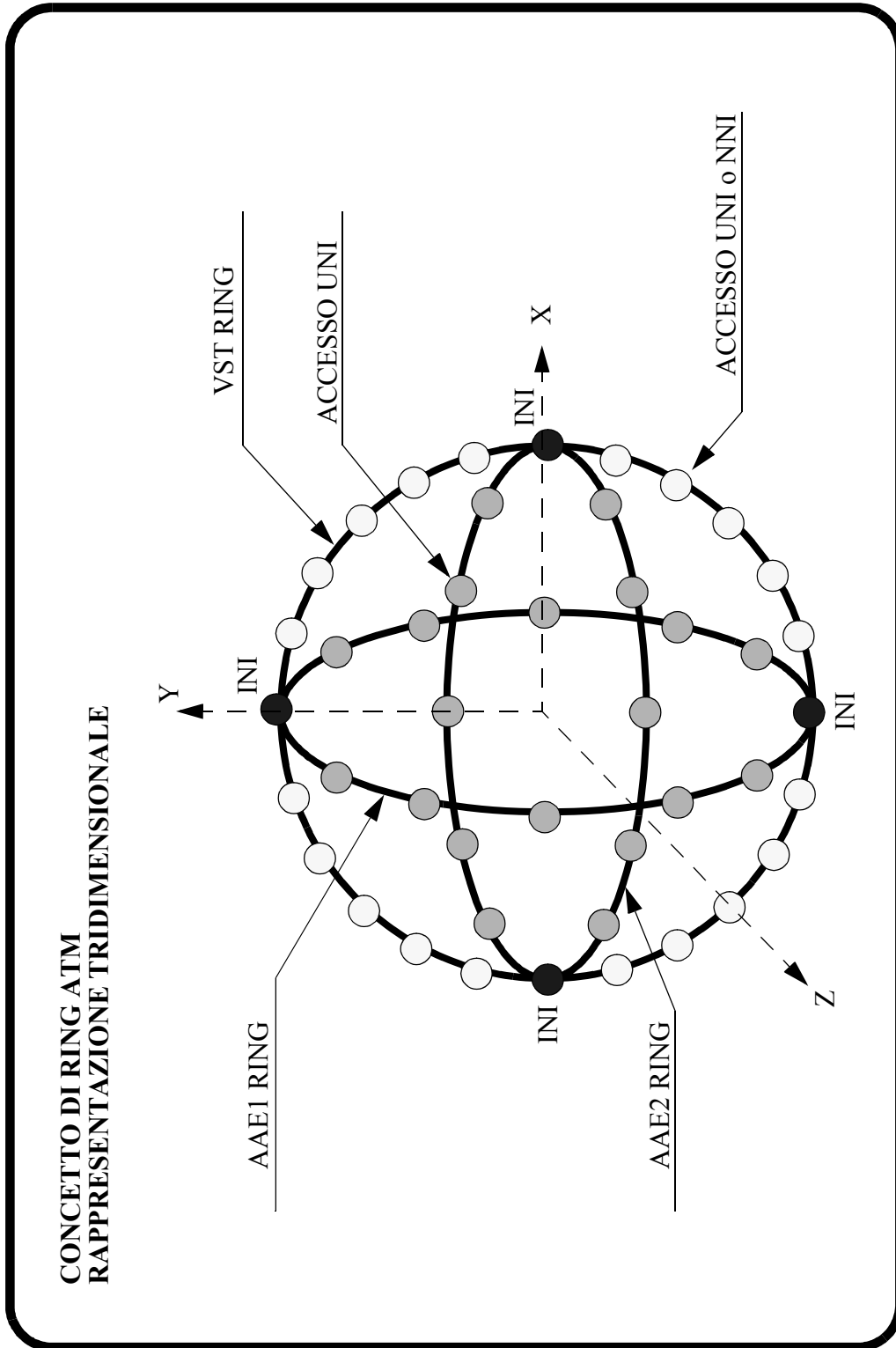
<i>Subject responsible</i> TEI/TH/B C. Mozetic		<i>No.</i> TH-95:1245 Uit	
<i>Doc resp/Approved</i> TEI/TH/B F. Testa	<i>Checked</i>	<i>Date</i> 1995-11-21	<i>Rev</i> A
<i>File</i>			



<i>Subject responsible</i> TEI/TH/B C. Mozetic		<i>No.</i> TH-95:1245 Uit	
<i>Doc resp/Approved</i> TEI/TH/B F. Testa	<i>Checked</i>	<i>Date</i> 1995-11-21	<i>Rev</i> A
		<i>File</i>	

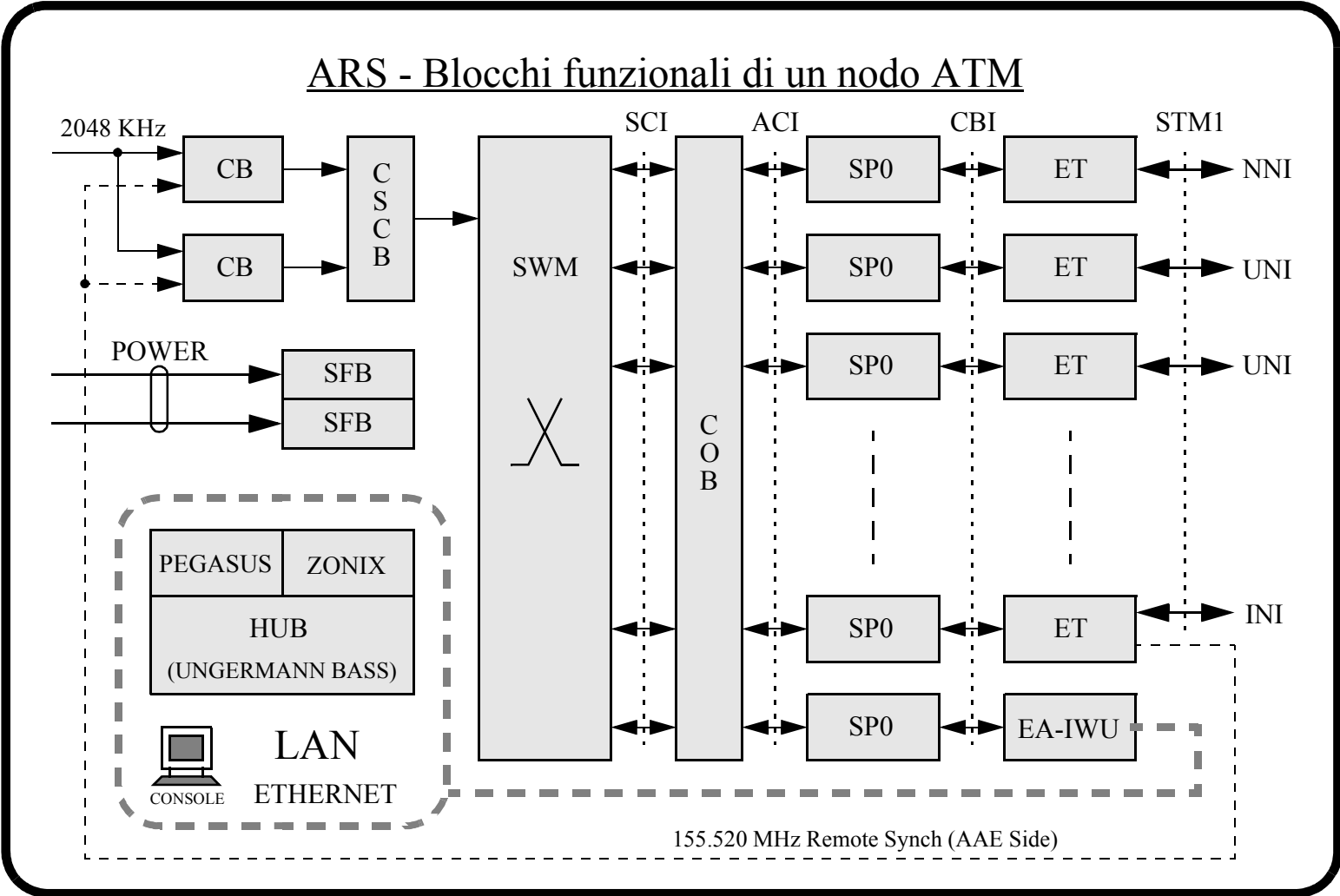


<i>Subject responsible</i> TEI/TH/B C. Mozetic		<i>No.</i> TH-95:1245 Uit		
<i>Doc resp/Approved</i> TEI/TH/B F. Testa	<i>Checked</i>	<i>Date</i> 1995-11-21	<i>Rev</i> A	<i>File</i>



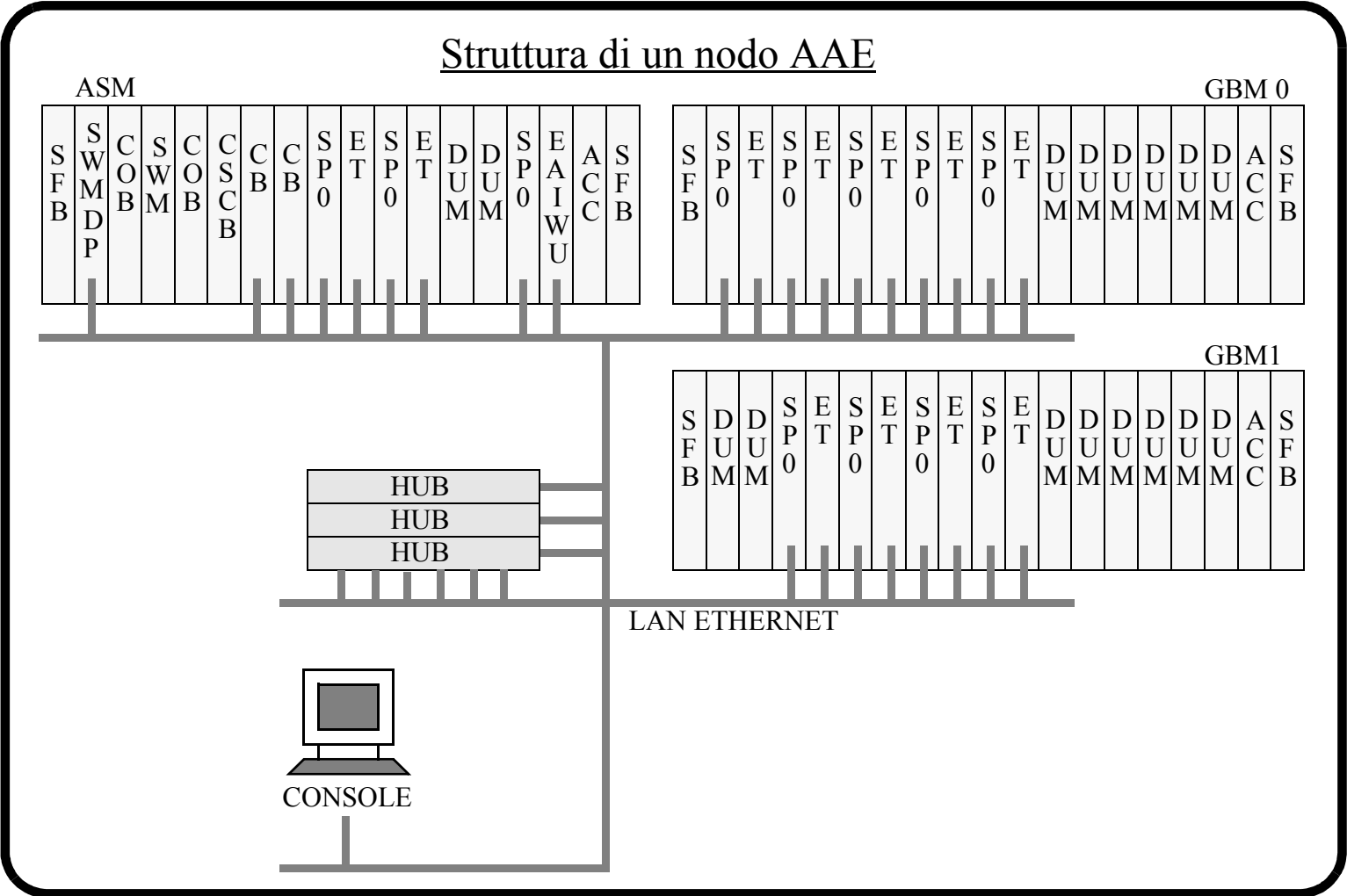
Subject responsible TEI/TH/B C. Mozetic		No. TH-95:1245 Uit	
Doc resp/Approved TEI/TH/B F. Testa		Date 1995-11-21	
Checked		Rev A	
		File	

ARS - Blocchi funzionali di un nodo ATM

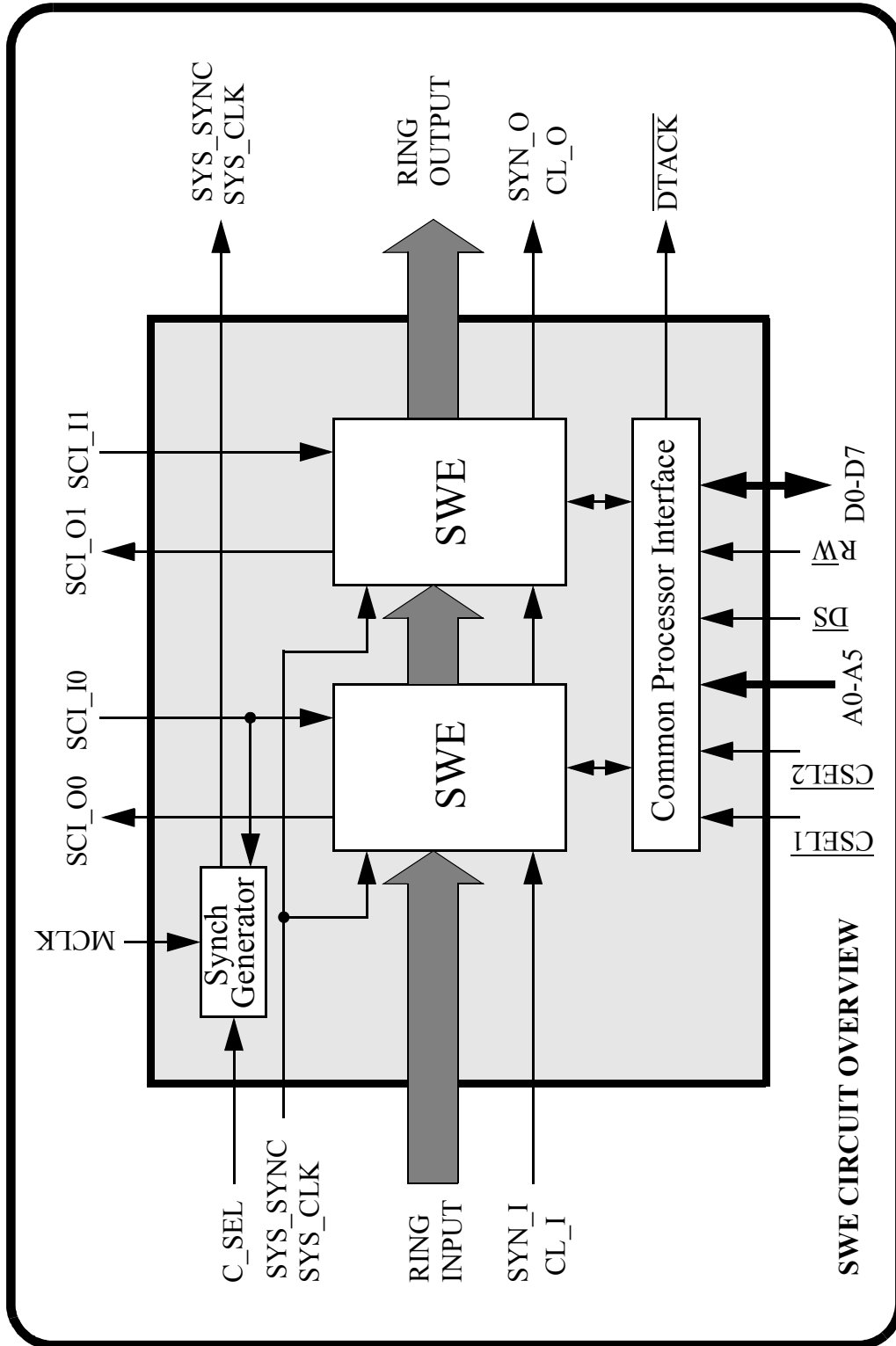


Subject responsible TEI/TH/B C. Mozetic		No. TH-95:1245 Uit	
Doc resp/Approved TEI/TH/B F. Testa		Date 1995-11-21	
Checked		Rev A	
		File	

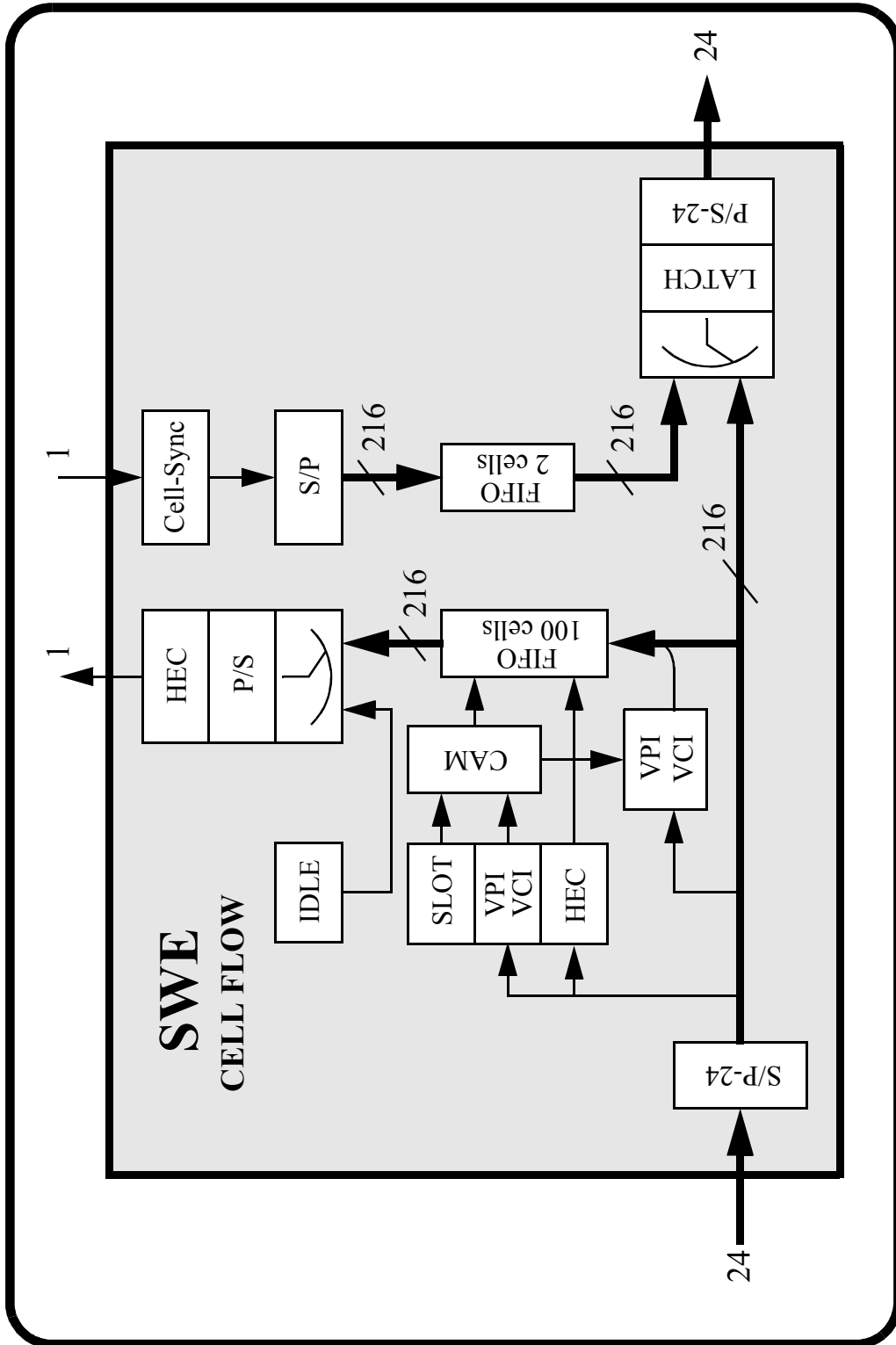
Struttura di un nodo AAE



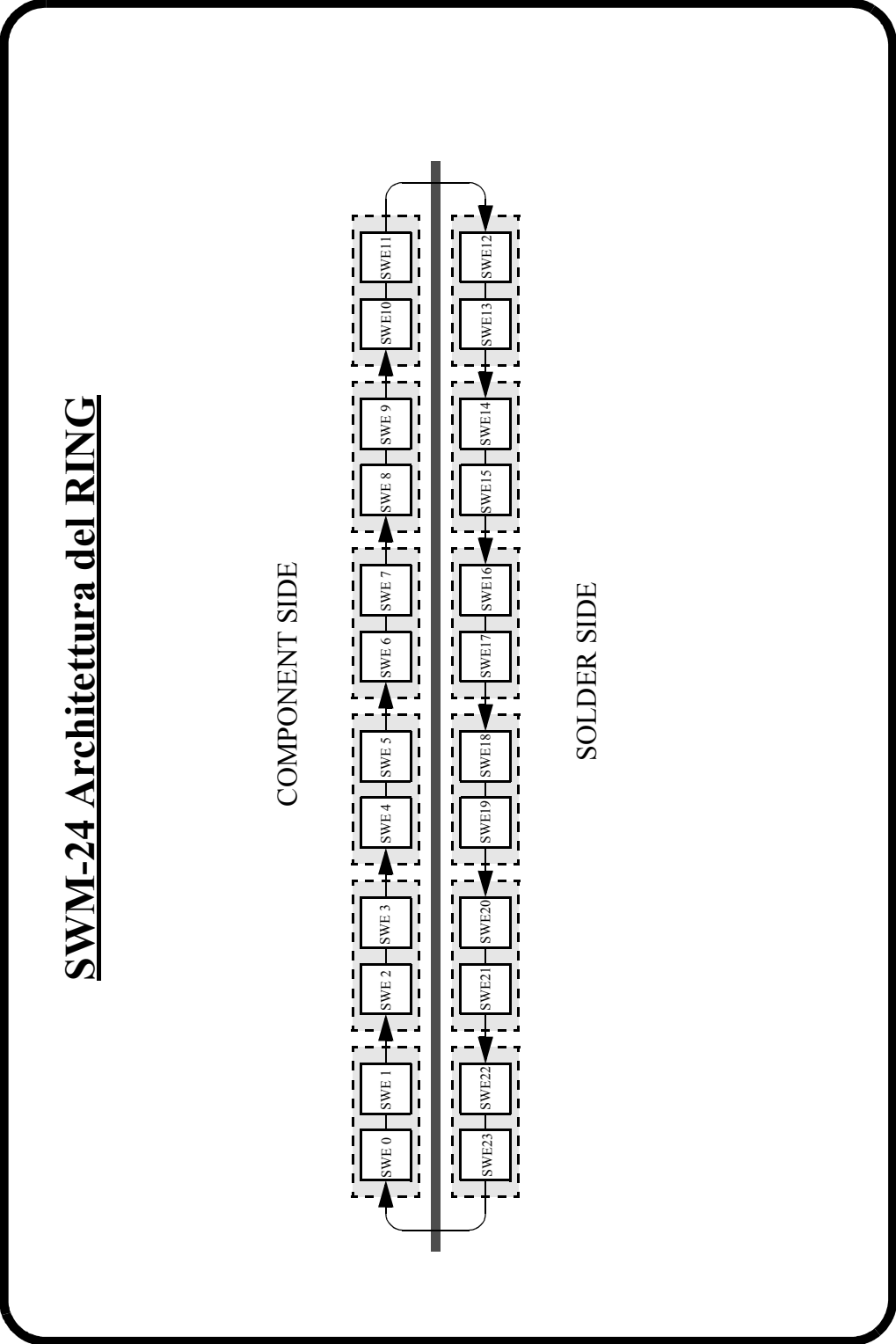
<i>Subject responsible</i> TEI/TH/B C. Mozetic		<i>No.</i> TH-95:1245 Uit		
<i>Doc resp/Approved</i> TEI/TH/B F. Testa	<i>Checked</i>	<i>Date</i> 1995-11-21	<i>Rev</i> A	<i>File</i>



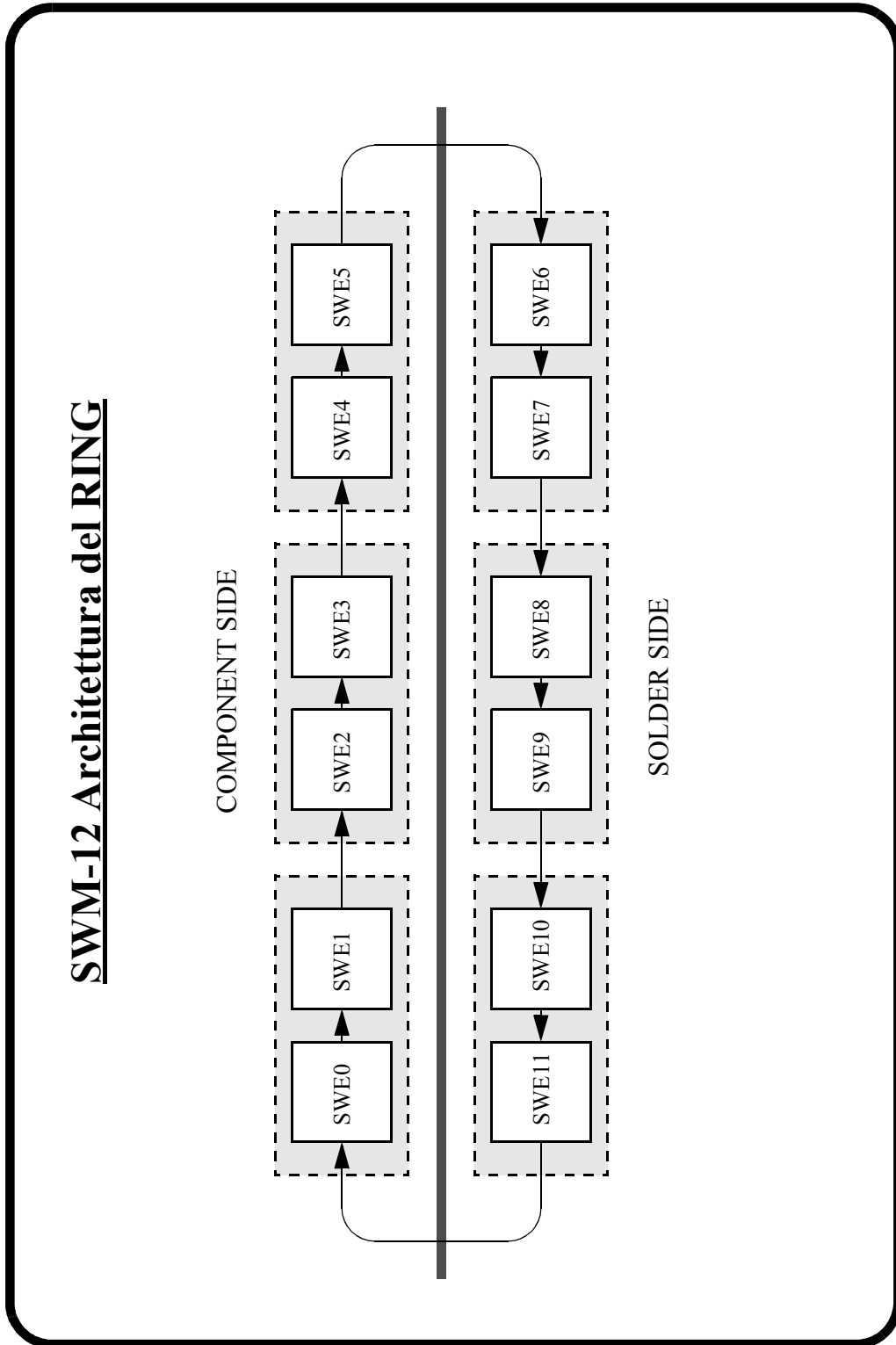
<i>Subject responsible</i> TEI/TH/B C. Mozetic		<i>No.</i> TH-95:1245 Uit	
<i>Doc resp/Approved</i> TEI/TH/B F. Testa	<i>Checked</i>	<i>Date</i> 1995-11-21	<i>Rev</i> A
		<i>File</i>	



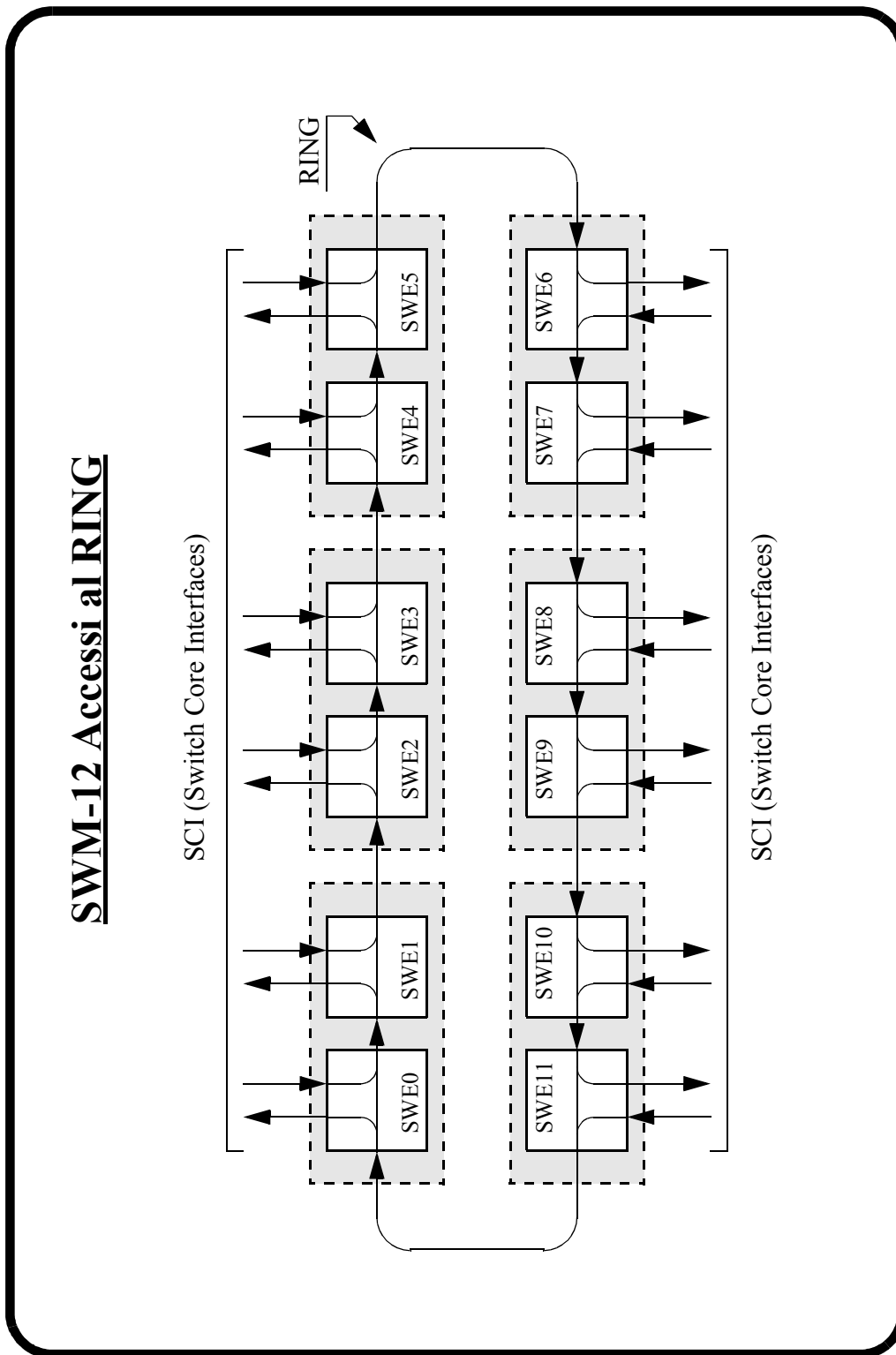
<i>Subject responsible</i> TEI/TH/B C. Mozetic		<i>No.</i> TH-95:1245 Uit	
<i>Doc resp/Approved</i> TEI/TH/B F. Testa	<i>Checked</i>	<i>Date</i> 1995-11-21	<i>Rev</i> A
		<i>File</i>	



<i>Subject responsible</i> TEI/TH/B C. Mozetic		<i>No.</i> TH-95:1245 Uit	
<i>Doc resp/Approved</i> TEI/TH/B F. Testa	<i>Checked</i>	<i>Date</i> 1995-11-21	<i>Rev</i> A
		<i>File</i>	

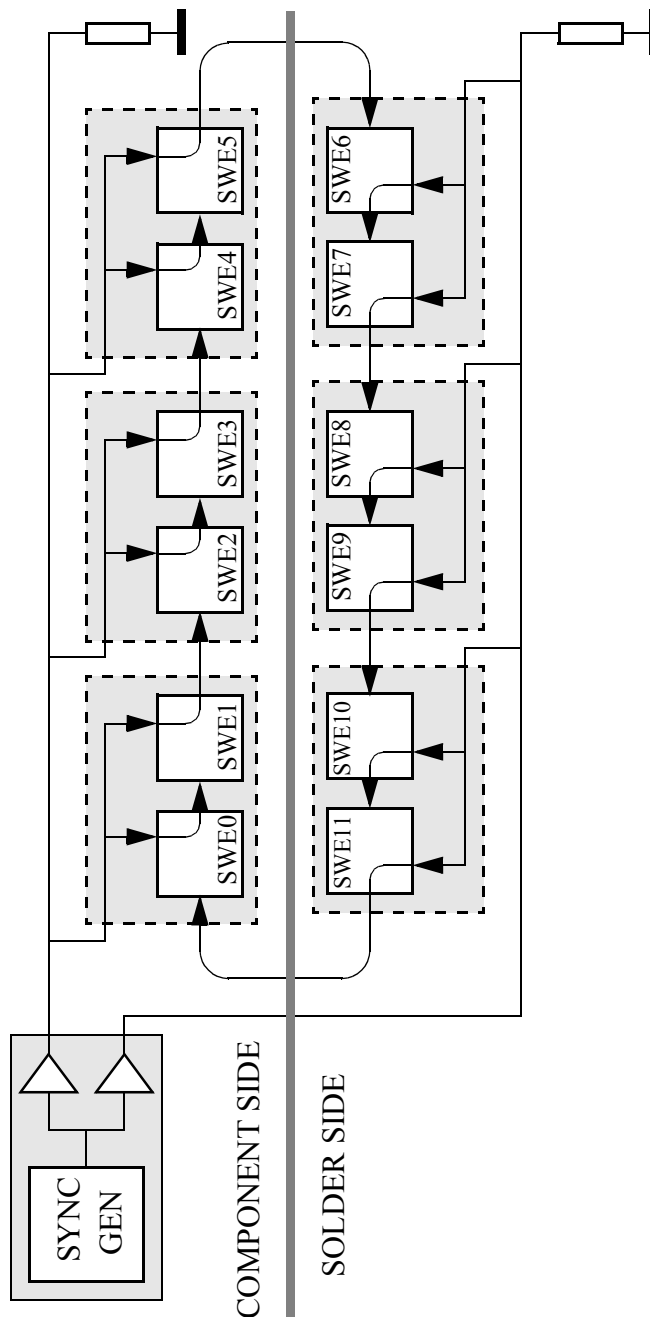


<i>Subject responsible</i> TEI/TH/B C. Mozetic		<i>No.</i> TH-95:1245 Uit	
<i>Doc resp/Approved</i> TEI/TH/B F. Testa	<i>Checked</i>	<i>Date</i> 1995-11-21	<i>Rev</i> A
		<i>File</i>	

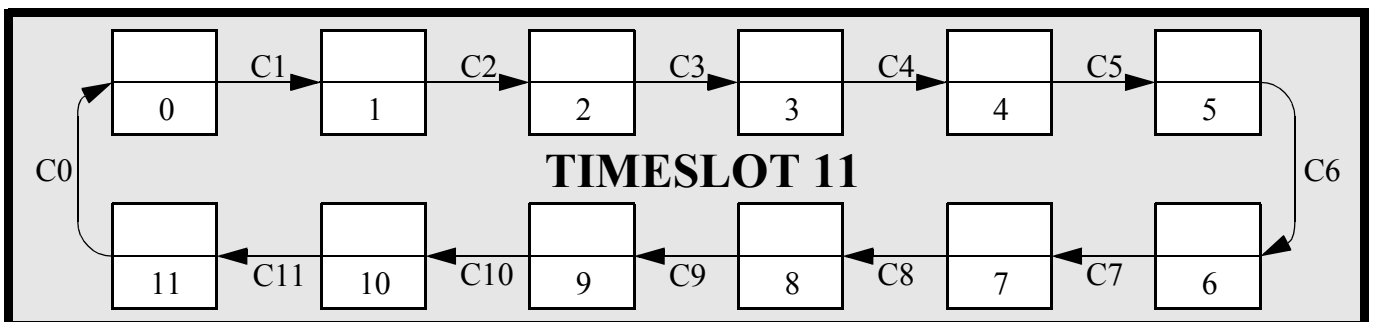
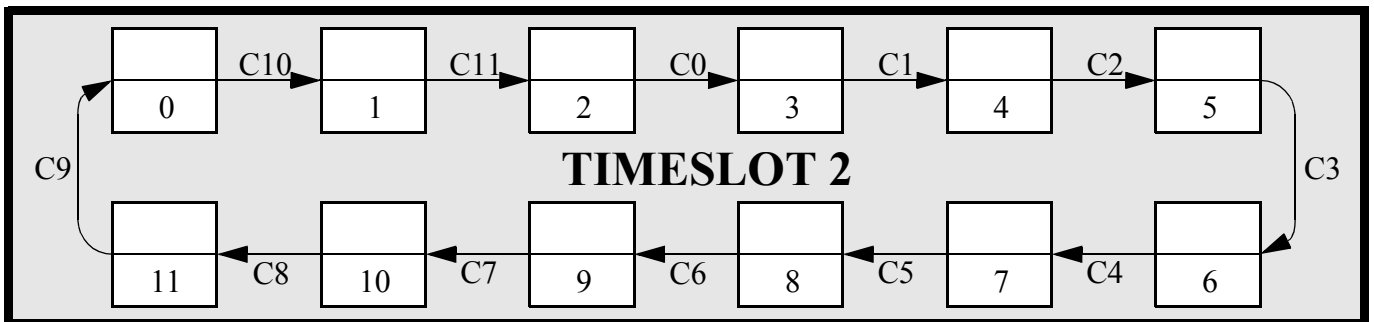
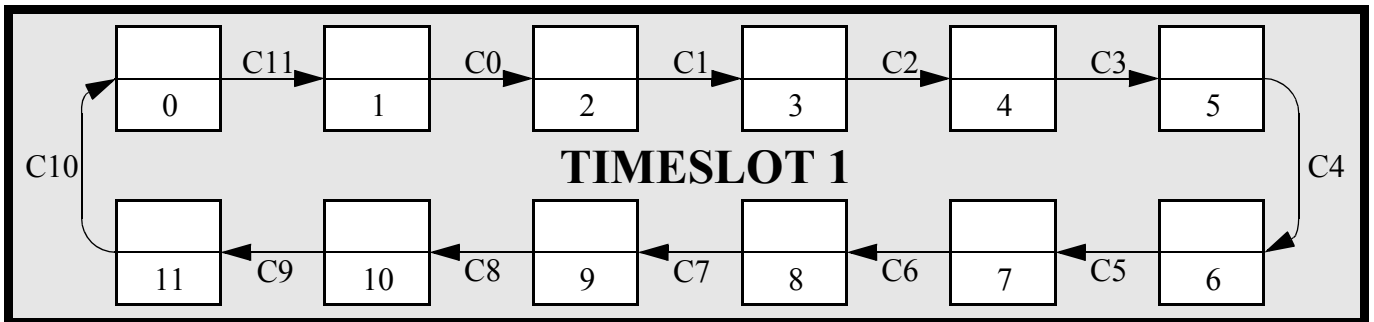
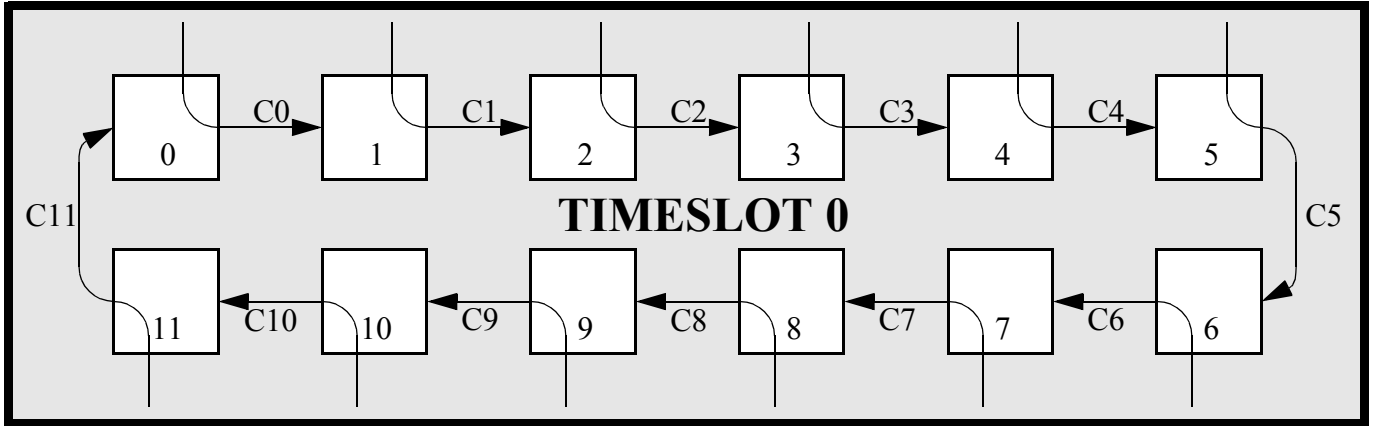


<i>Subject responsible</i> TEI/TH/B C. Mozetic		<i>No.</i> TH-95:1245 Uit	
<i>Doc resp/Approved</i> TEI/TH/B F. Testa	<i>Checked</i>	<i>Date</i> 1995-11-21	<i>Rev</i> A
		<i>File</i>	

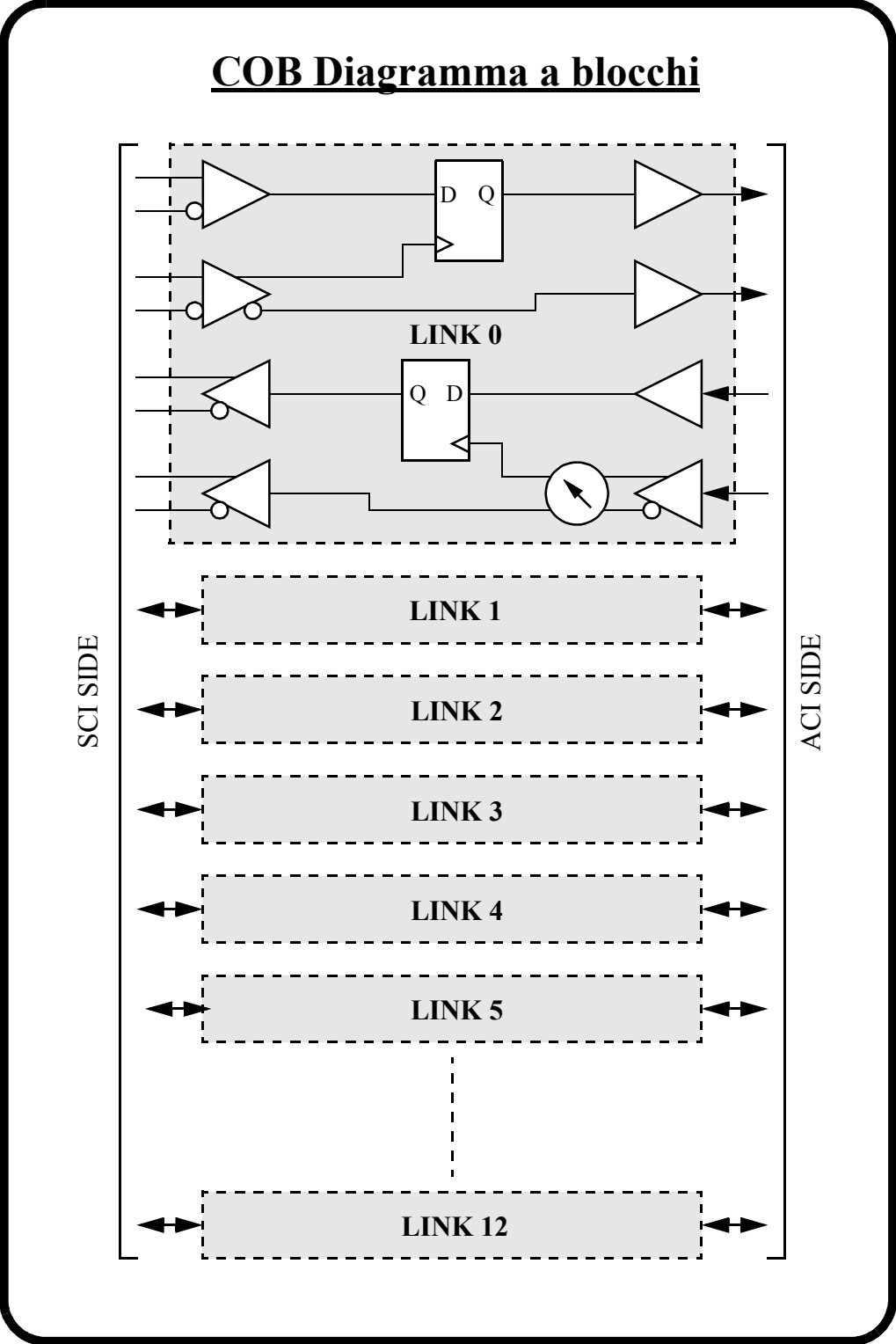
SWM-12 Distribuzione del clock e sincronizzazione del RING



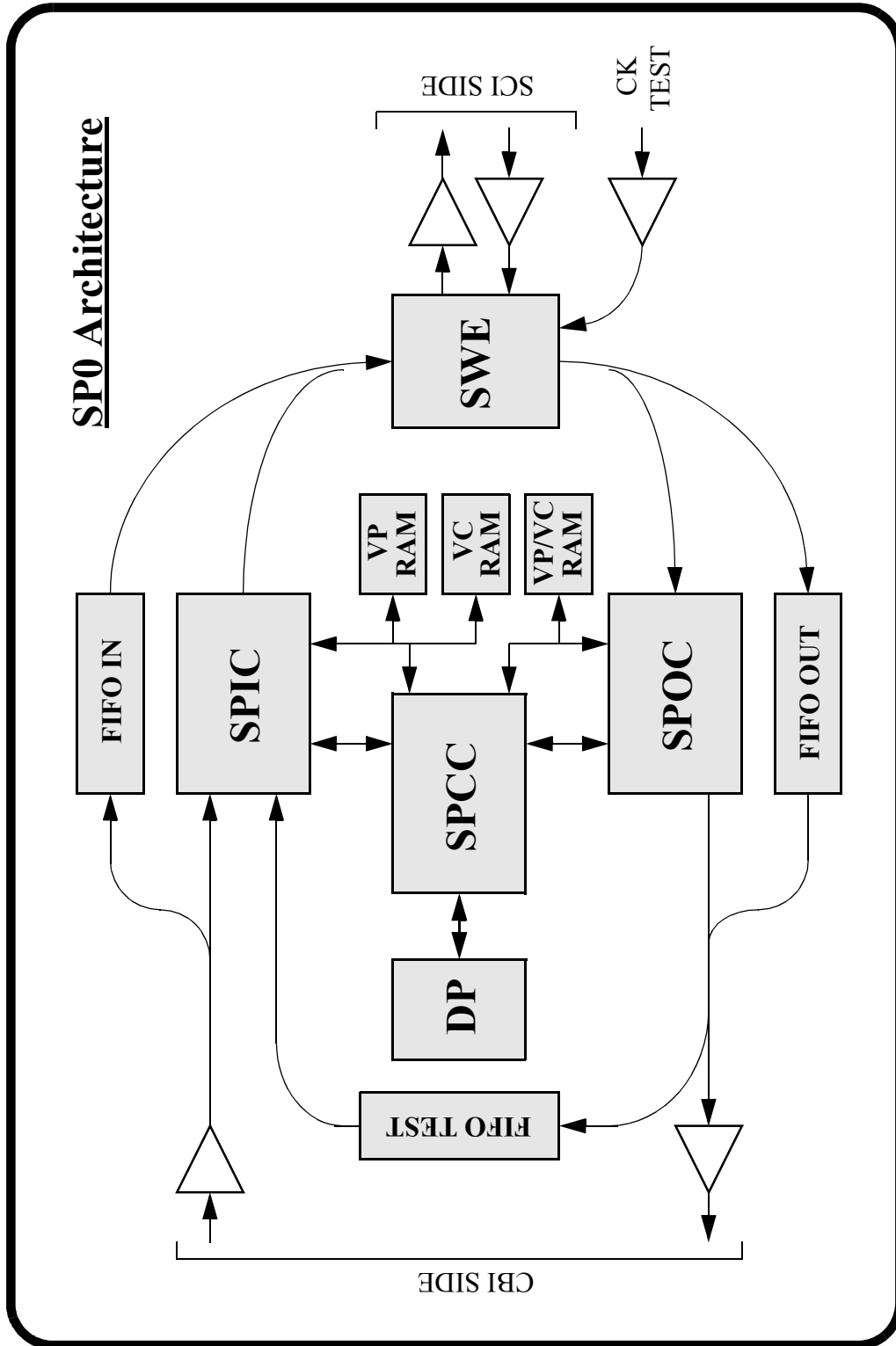
<i>Subject responsible</i> TEI/TH/B C. Mozetic		<i>No.</i> TH-95:1245 Uit	
<i>Doc resp/Approved</i> TEI/TH/B F. Testa	<i>Checked</i>	<i>Date</i> 1995-11-21	<i>Rev</i> A
<i>File</i>			



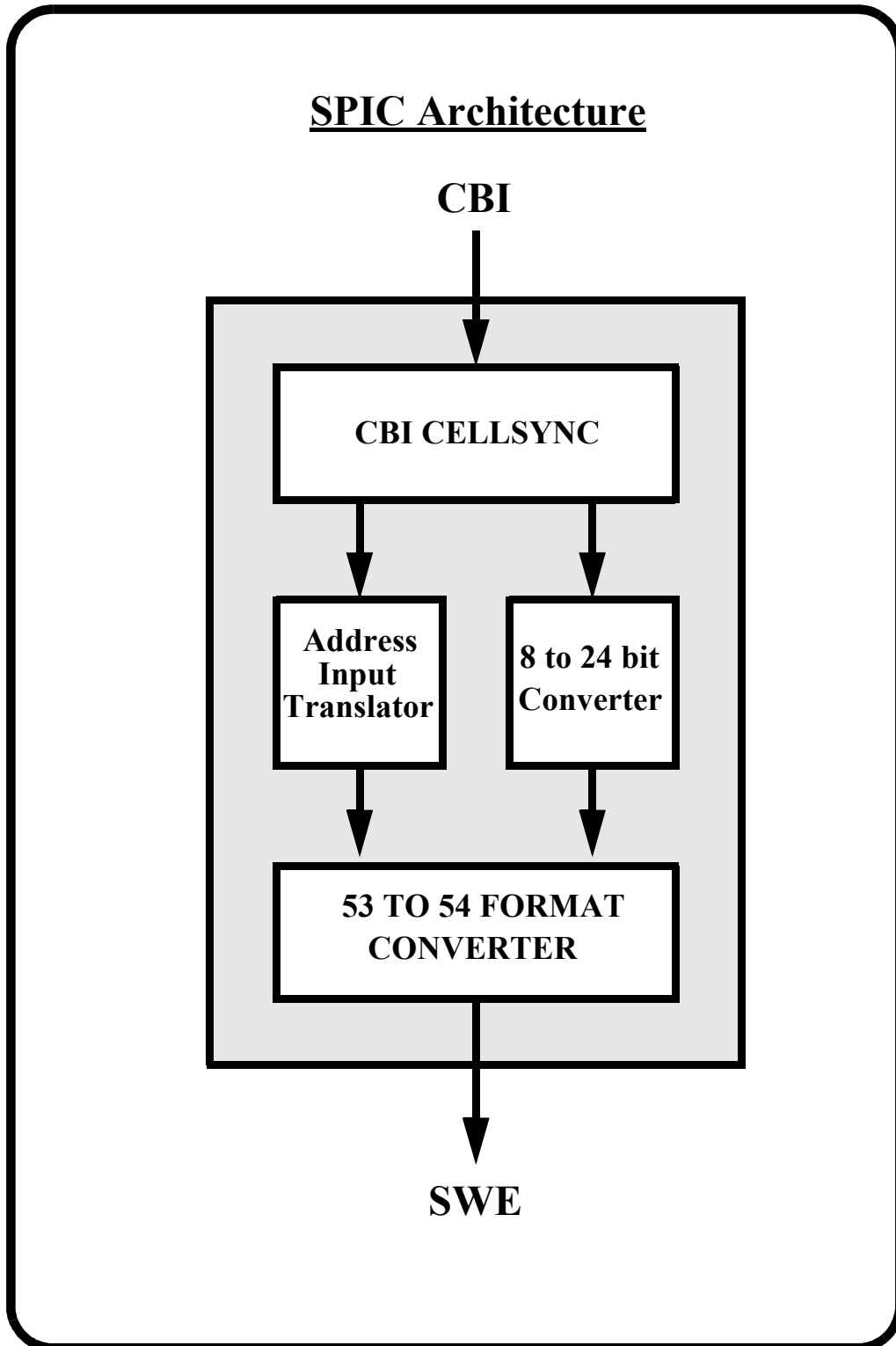
<i>Subject responsible</i> TEI/TH/B C. Mozetic		<i>No.</i> TH-95:1245 Uit		
<i>Doc resp/Approved</i> TEI/TH/B F. Testa	<i>Checked</i>	<i>Date</i> 1995-11-21	<i>Rev</i> A	<i>File</i>



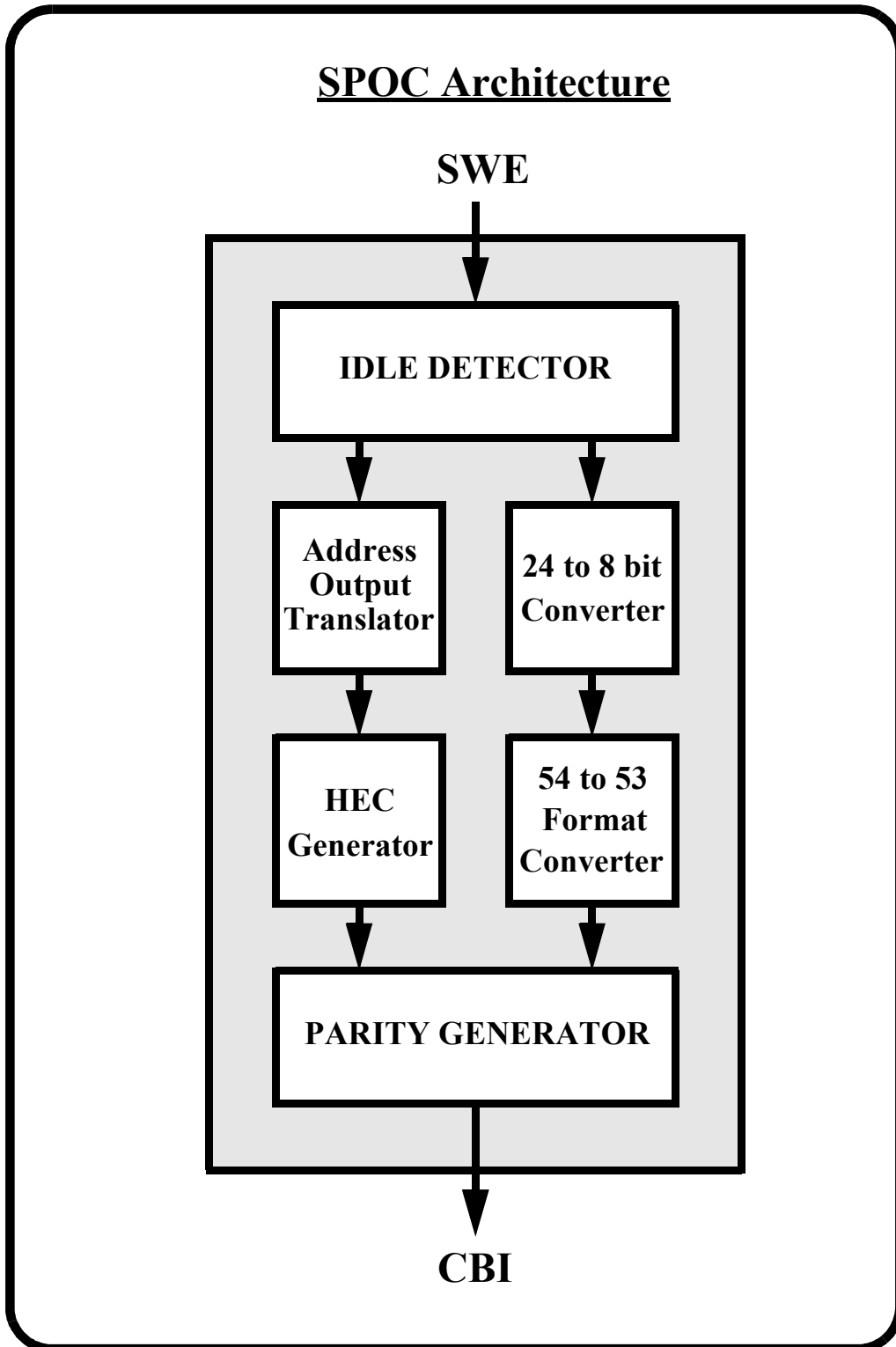
<i>Subject responsible</i> TEI/TH/B C. Mozetic		<i>No.</i> TH-95:1245 Uit	
<i>Doc resp/Approved</i> TEI/TH/B F. Testa	<i>Checked</i>	<i>Date</i> 1995-11-21	<i>Rev</i> A
<i>File</i>			



<i>Subject responsible</i> TEI/TH/B C. Mozetic		<i>No.</i> TH-95:1245 Uit		
<i>Doc resp/Approved</i> TEI/TH/B F. Testa	<i>Checked</i>	<i>Date</i> 1995-11-21	<i>Rev</i> A	<i>File</i>

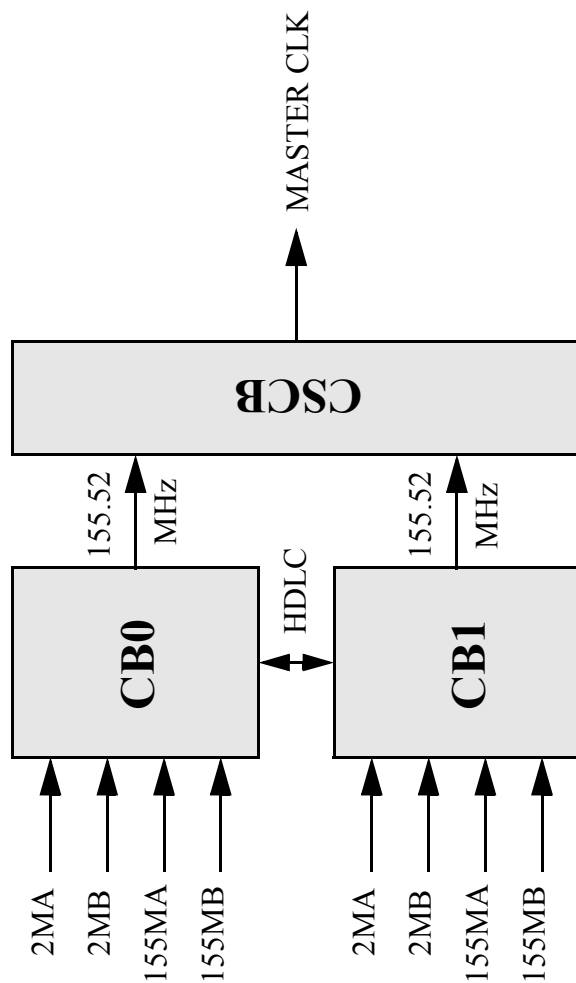


<i>Subject responsible</i> TEI/TH/B C. Mozetic		<i>No.</i> TH-95:1245 Uit		
<i>Doc resp/Approved</i> TEI/TH/B F. Testa	<i>Checked</i>	<i>Date</i> 1995-11-21	<i>Rev</i> A	<i>File</i>



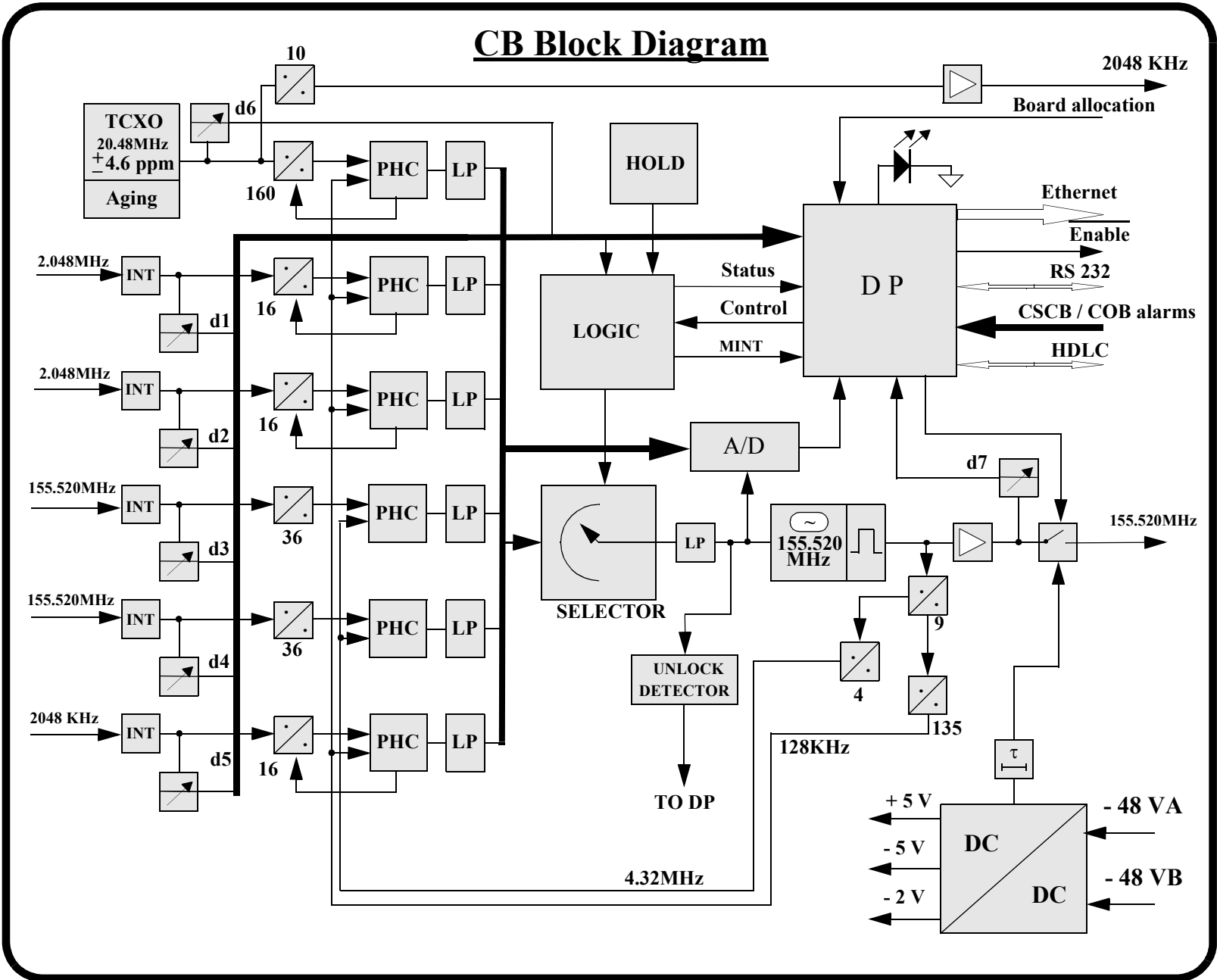
<i>Subject responsible</i> TEI/TH/B C. Mozetic		<i>No.</i> TH-95:1245 Uit	
<i>Doc resp/Approved</i> TEI/TH/B F. Testa	<i>Checked</i>	<i>Date</i> 1995-11-21	<i>Rev</i> A
<i>File</i>			

ARS - SSY Architecture

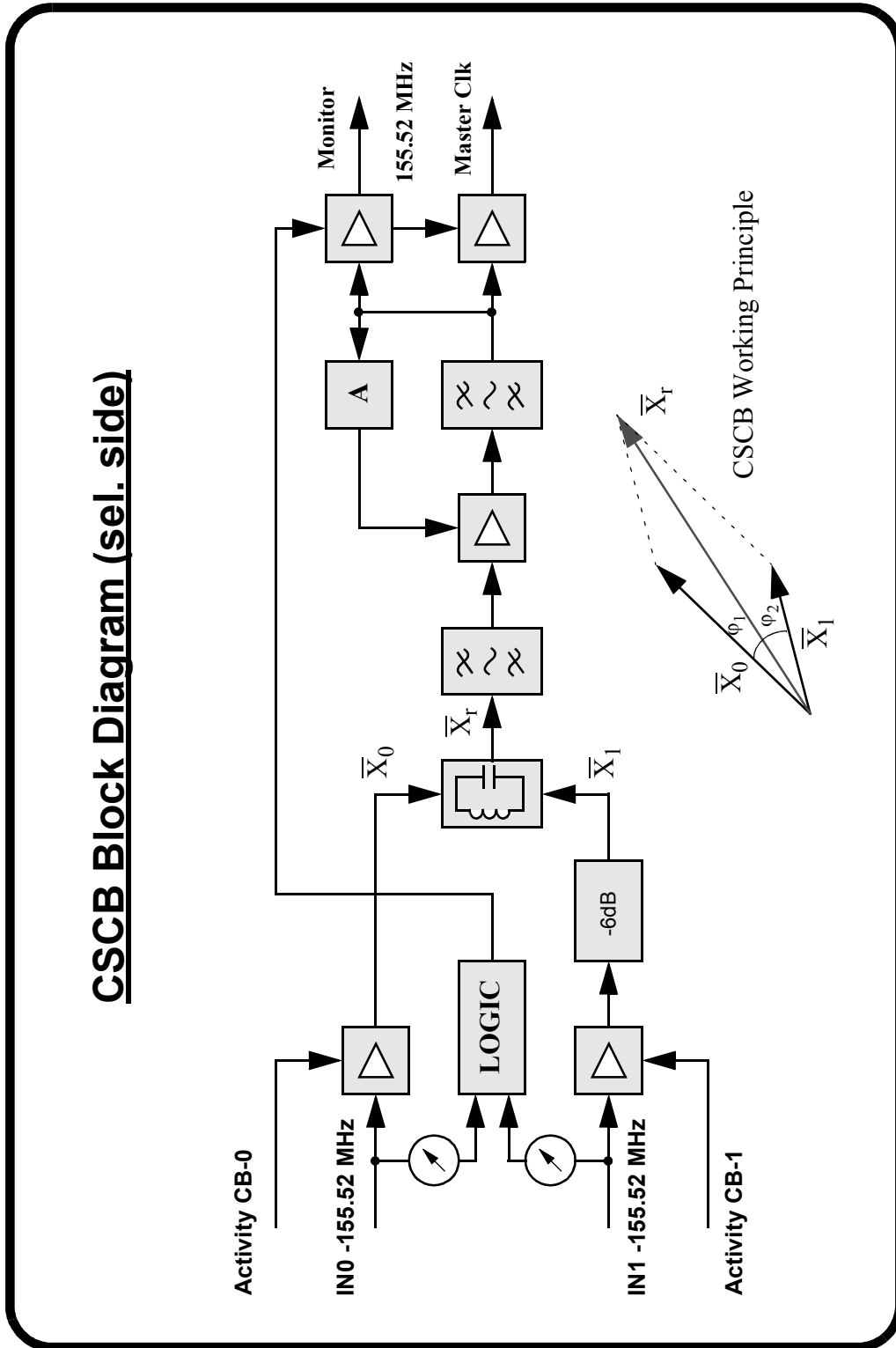


Subject responsible TEI/TH/B C. Mozetic		No. TH-95:1245 Uit	
Doc resp/Approved TEI/TH/B F. Testa		Date 1995-11-21	
Checked		Rev A	
		File	

CB Block Diagram

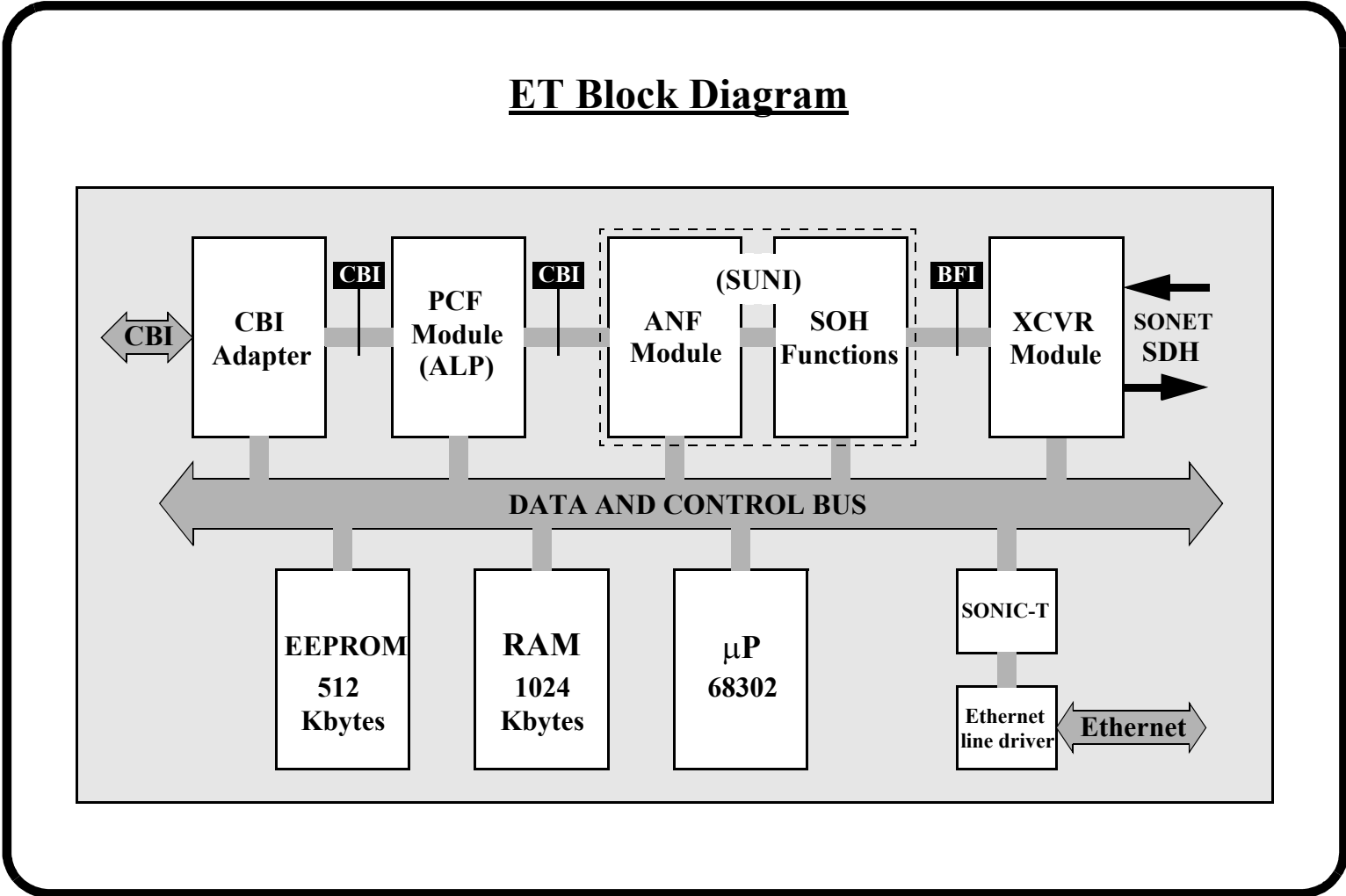


Subject responsible TEI/TH/B C. Mozetic		No. TH-95:1245 Uit	
Doc resp/Approved TEI/TH/B F. Testa	Checked	Date 1995-11-21	Rev A
		File	

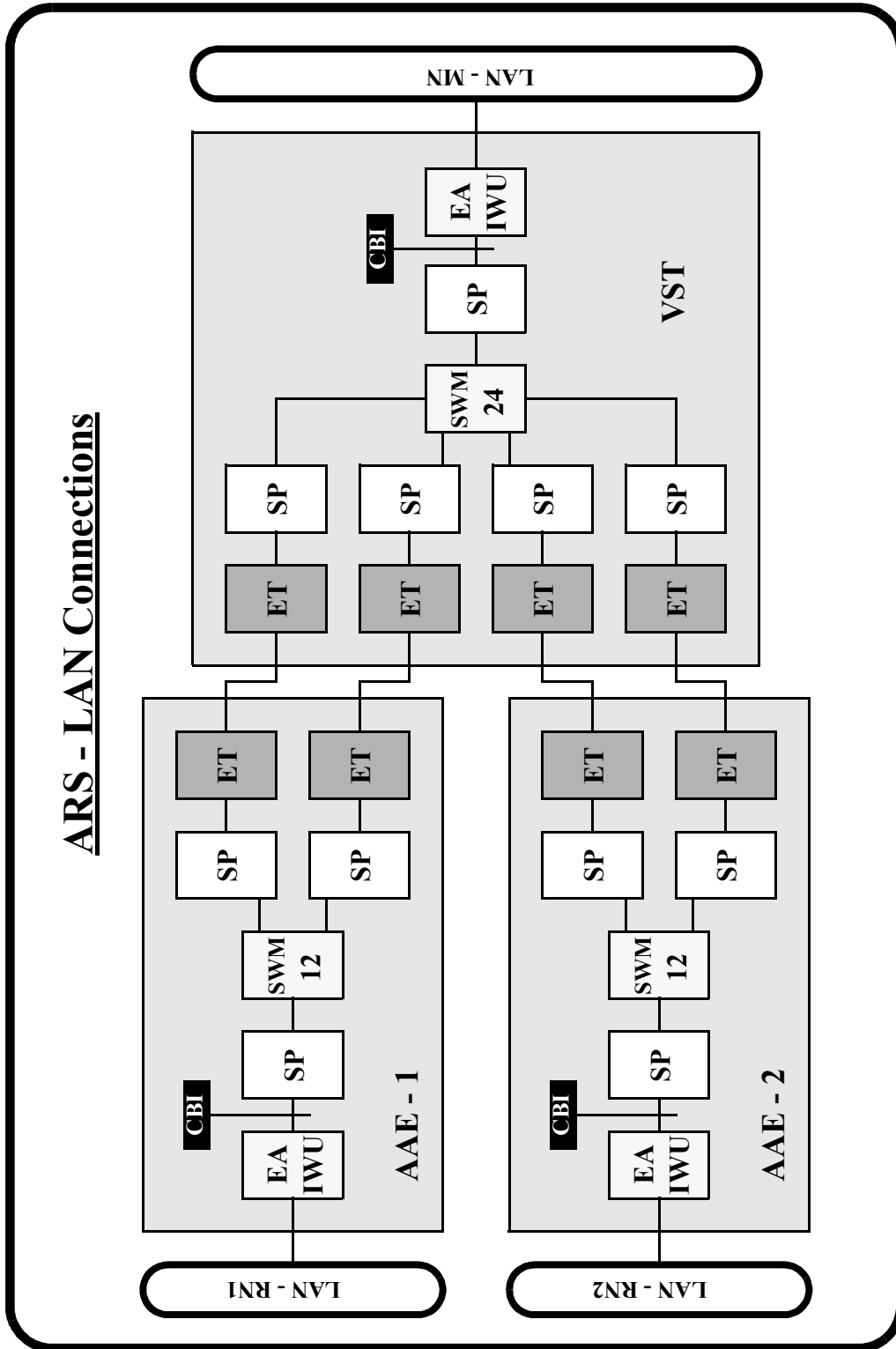


Subject responsible TEI/TH/B C. Mozetic	Checked	No. TH-95:1245 Uit	File
Doc resp/Approved TEI/TH/B F. Testa		Date 1995-11-21	Rev A

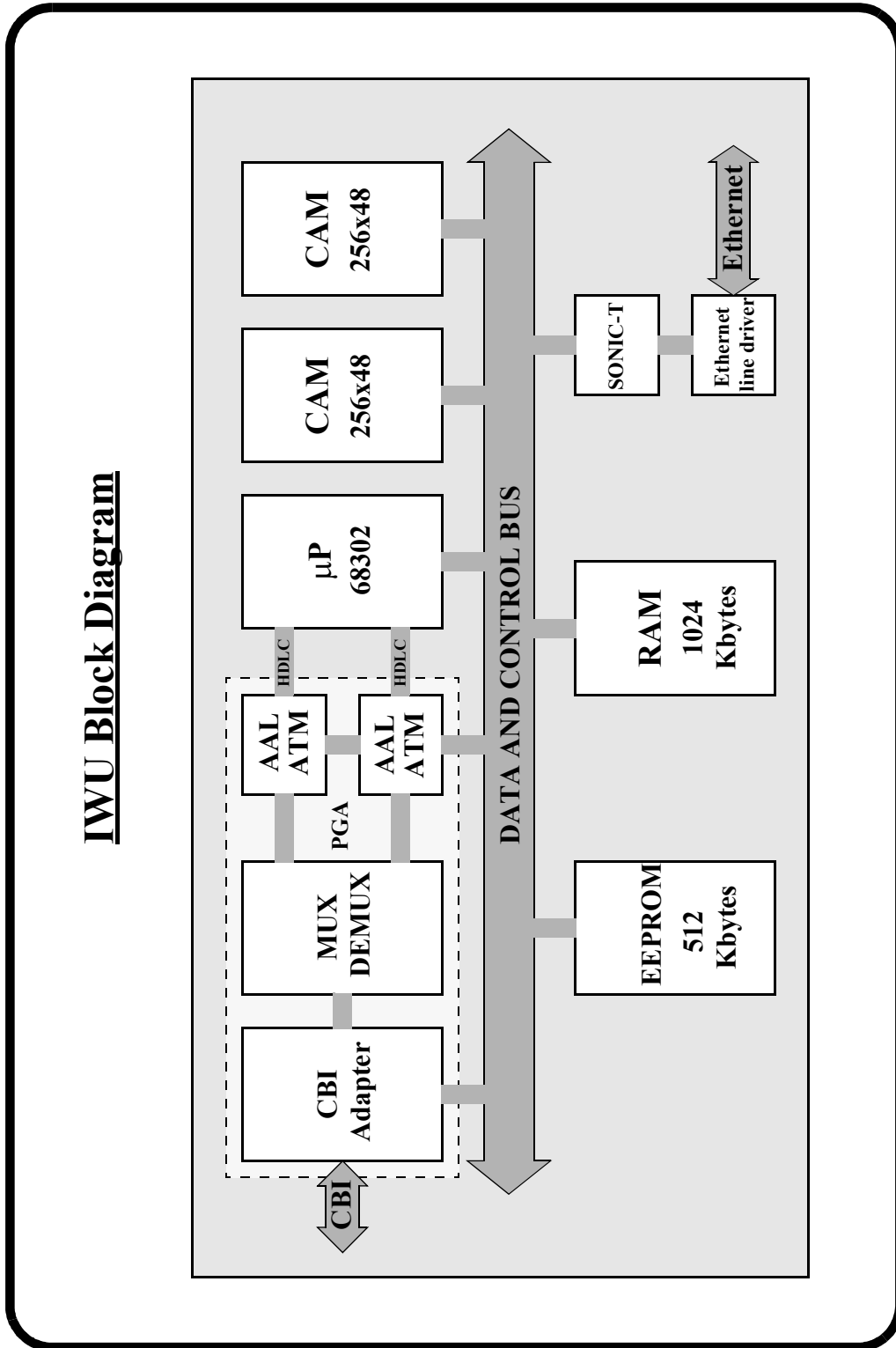
ET Block Diagram



<i>Subject responsible</i> TEI/TH/B C. Mozetic		<i>No.</i> TH-95:1245 Uit	
<i>Doc resp/Approved</i> TEI/TH/B F. Testa	<i>Checked</i>	<i>Date</i> 1995-11-21	<i>Rev</i> A
		<i>File</i>	



<i>Subject responsible</i> TEI/TH/B C. Mozetic		<i>No.</i> TH-95:1245 Uit	
<i>Doc resp/Approved</i> TEI/TH/B F. Testa	<i>Checked</i>	<i>Date</i> 1995-11-21	<i>Rev</i> A
		<i>File</i>	



Subject responsible TEI/TH/B C. Mozetic		No. TH-95:1245 Uit	
Doc resp/Approved TEI/TH/B F. Testa	Checked	Date 1995-11-21	Rev A
		File	

ARS - Supervison Units

