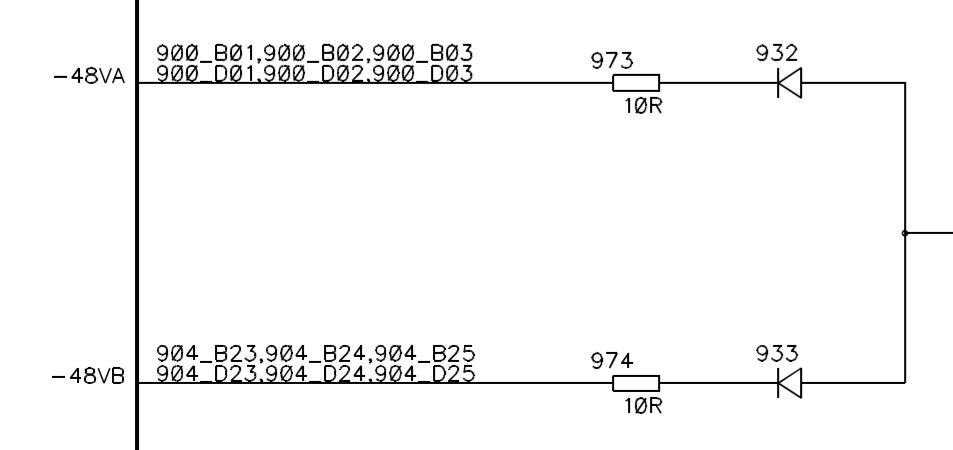
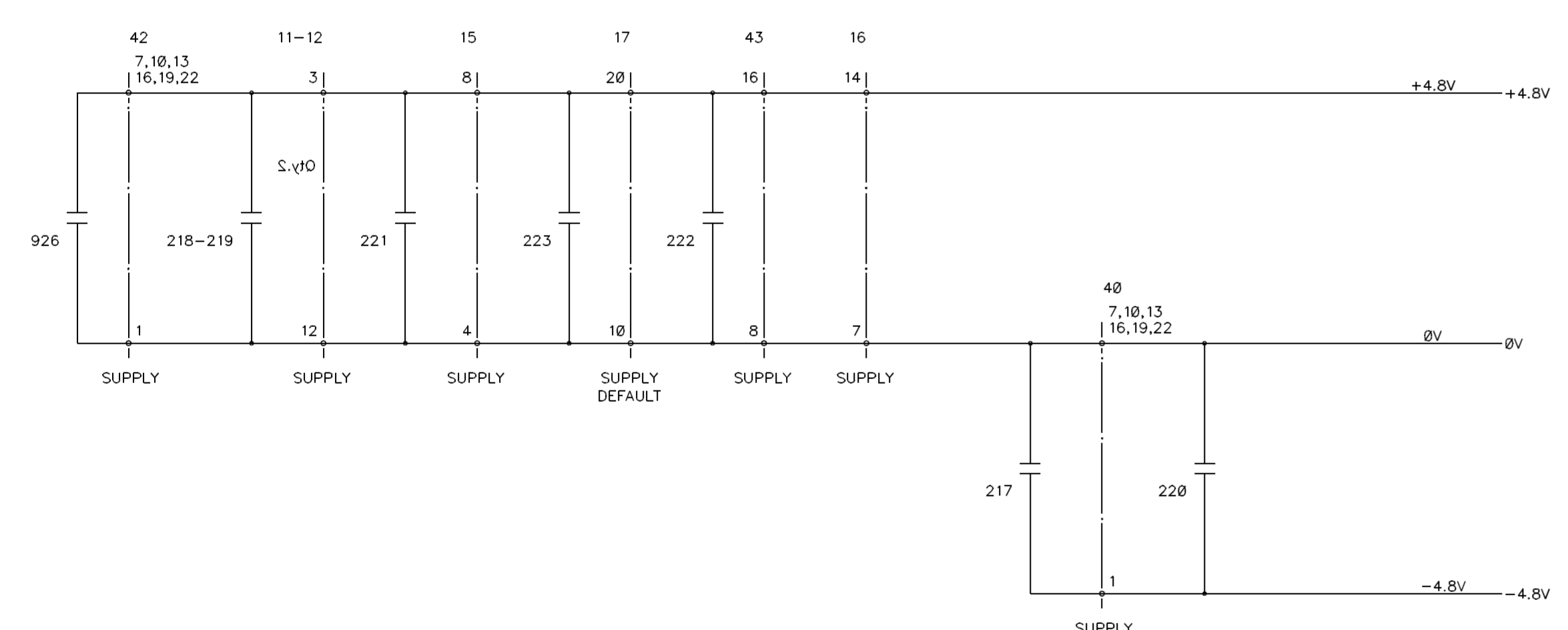
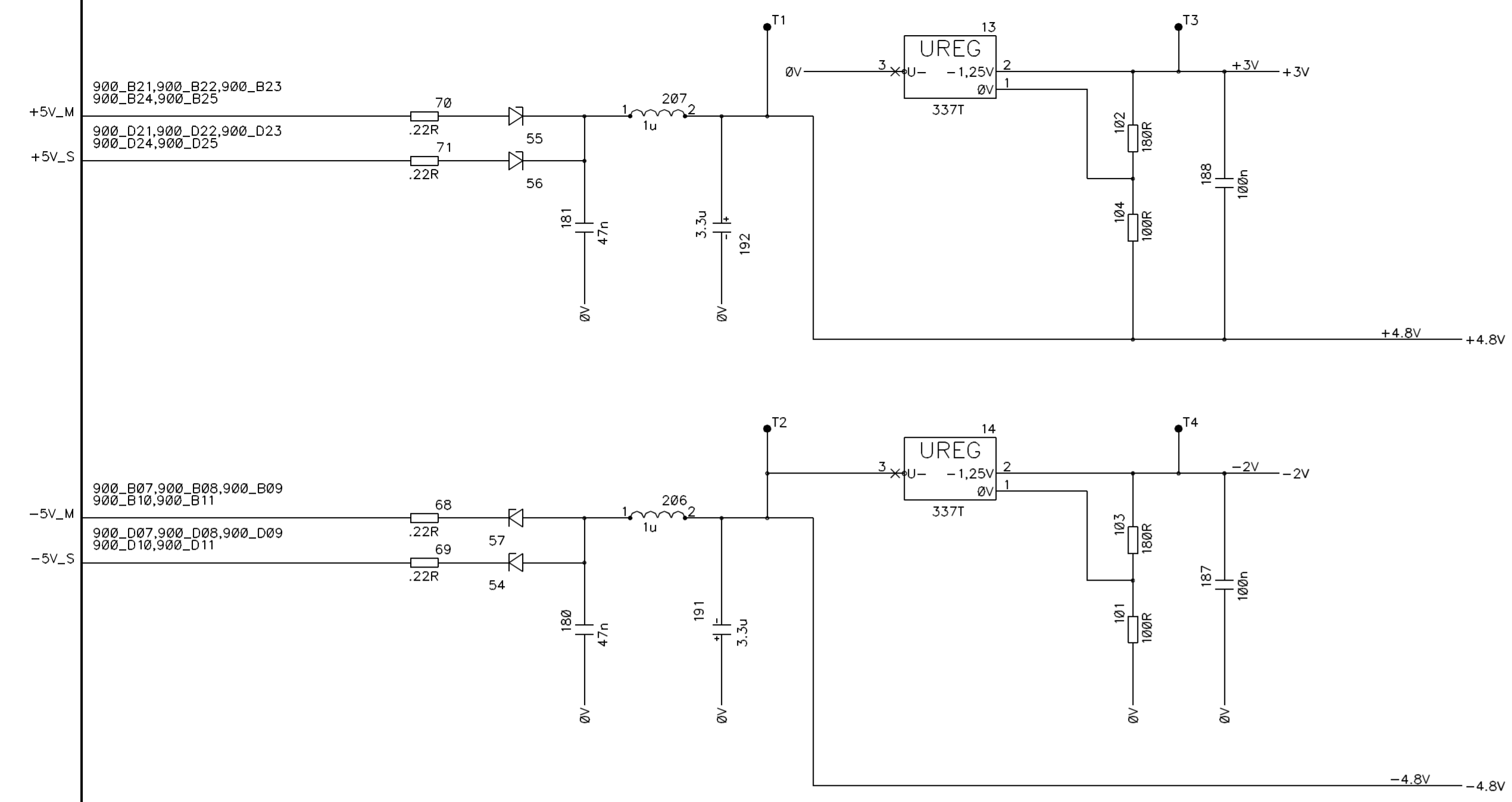


Eseguito - Prepared TH/A C.Mozetic	Resp. del contenuto - Subj. resp. TH A.Giannetti	No. 1911-ROJ21214/1 Ux
Resp. del documento/Approvato - Doc. respons/Approved TH A.Giannetti	Data - Date 1994-01-21 PA4	Revis. - File
Denominazione KRETSKORT ATM CSCB	Title PRINTED BOARD ASSEMBLY ATM CSCB	
Tolleranze - Tolerances	Regole di disegno - Drawing rules	
Sheet Rev	Sf. - Ref.	



900_C01 900_C02 900_C03 900_C04 900_C05 900_C06 900_C07 900_C08 900_C09 900_C10	0V	904_A01.904_C01.904_E01 904_A02.904_C02.904_E02 904_A03.904_C03.904_E03 904_A04.904_C04.904_E04 904_A05.904_C05.904_E05	0V
900_A06.900_C06.900_E06 900_A07.900_C07.900_E07 900_A08.900_C08.900_E08 900_A09.900_C09.900_E09 900_A10.900_C10.900_E10	0V	904_A06.904_C06.904_E06 904_A07.904_C07.904_E07 904_A08.904_C08.904_E08 904_A09.904_C09.904_E09 904_A10.904_C10.904_E10	0V
900_A11.900_C11.900_E11 900_A15.900_C15.900_E15	0V	904_A11.904_C11.904_E11 904_A15.904_C15.904_E15	0V
900_A16.900_C16.900_E16 900_A17.900_C17.900_E17 900_A18.900_C18.900_E18 900_A19.900_C19.900_E19 900_A20.900_C20.900_E20	0V	904_A16.904_C16.904_E16 904_A17.904_C17.904_E17 904_A18.904_C18.904_E18 904_A19.904_C19.904_E19 904_A20.904_C20.904_E20	0V
900_A21.900_C21.900_E21 900_A22.900_C22.900_E22 900_A23.900_C23.900_E23 900_A24.900_C24.900_E24 900_A25.900_C25.900_E25	0V	904_A21.904_C21.904_E21 904_A22.904_C22.904_E22 904_A23.904_C23.904_E23 904_A24.904_C24.904_E24 904_A25.904_C25.904_E25	0V
900_F01.900_F02.900_F03 900_F04.900_F05.900_F06 900_F07.900_F08.900_F09 900_F10.900_F11.900_F12 900_F13.900_F14.900_F15	0V	904_F01.904_F02.904_F03 904_F04.904_F05.904_F06 904_F07.904_F08.904_F09 904_F10.904_F11.904_F12 904_F13.904_F14.904_F15	0V
900_F17.900_F18.900_F19 900_F20.900_F21.900_F22 900_F23.900_F24.900_F25	0V	904_F17.904_F18.904_F19 904_F20.904_F21.904_F22 904_F23.904_F24.904_F25	0V
900_B06.900_D06 900_B20.900_D20	0V	904_D19.904_D22	0V
900_J1.900_J2 900_J3.900_J4	0V	904_J1.904_J2 904_J3.904_J4	0V
902_A01.902_C01.902_E01 902_A02.902_C02.902_E02 902_A03.902_C03.902_E03 902_A04.902_C04.902_E04 902_A05.902_C05.902_E05	0V	904_A01.904_C01.904_E01 904_A02.904_C02.904_E02 904_A03.904_C03.904_E03 904_A04.904_C04.904_E04 904_A05.904_C05.904_E05	0V
902_A06.902_C06.902_E06 902_A07.902_C07.902_E07 902_A08.902_C08.902_E08 902_A09.902_C09.902_E09 902_A10.902_C10.902_E10	0V	904_A06.904_C06.904_E06 904_A07.904_C07.904_E07 904_A08.904_C08.904_E08 904_A09.904_C09.904_E09 904_A10.904_C10.904_E10	0V
902_A11.902_C11.902_E11 902_A15.902_C15.902_E15	0V	904_A11.904_C11.904_E11 904_A15.904_C15.904_E15	0V
902_A16.902_C16.902_E16 902_A17.902_C17.902_E17 902_A18.902_C18.902_E18 902_A19.902_C19.902_E19 902_A20.902_C20.902_E20	0V	904_A16.904_C16.904_E16 904_A17.904_C17.904_E17 904_A18.904_C18.904_E18 904_A19.904_C19.904_E19 904_A20.904_C20.904_E20	0V
902_A21.902_C21.902_E21 902_A22.902_C22.902_E22 902_A23.902_C23.902_E23 902_A24.902_C24.902_E24 902_A25.902_C25.902_E25	0V	904_A21.904_C21.904_E21 904_A22.904_C22.904_E22 904_A23.904_C23.904_E23 904_A24.904_C24.904_E24 904_A25.904_C25.904_E25	0V
902_F01.902_F02.902_F03 902_F04.902_F05.902_F06 902_F07.902_F08.902_F09 902_F10.902_F11.902_F12 902_F13.902_F14.902_F15	0V	904_F01.904_F02.904_F03 904_F04.904_F05.904_F06 904_F07.904_F08.904_F09 904_F10.904_F11.904_F12 904_F13.904_F14.904_F15	0V
902_F17.902_F18.902_F19 902_F20.902_F21.902_F22 902_F23.902_F24.902_F25	0V	904_F17.904_F18.904_F19 904_F20.904_F21.904_F22 904_F23.904_F24.904_F25	0V
902_B01.902_B04 902_D03.902_D06 902_B15.902_B17 902_D15.902_D17	0V	904_D15.904_D17	0V
902_J1.902_J2 902_J3.902_J4	0V	904_J1.904_J2 904_J3.904_J4	0V

No	To Sh/no

